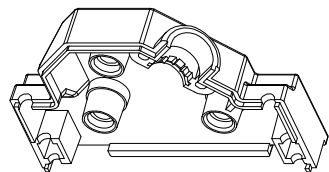


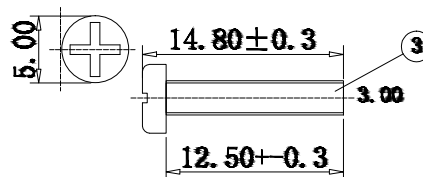
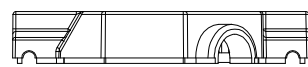
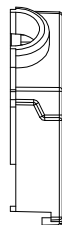
HSF



ROHS



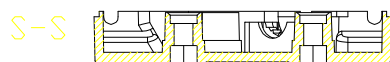
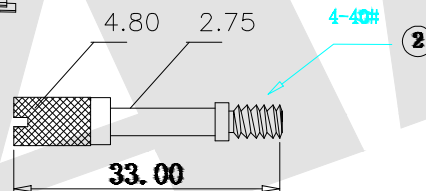
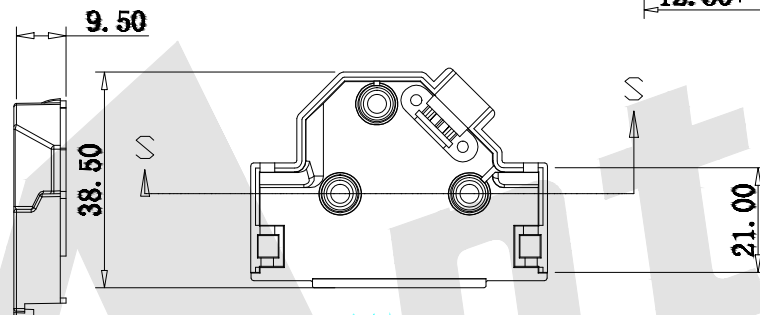
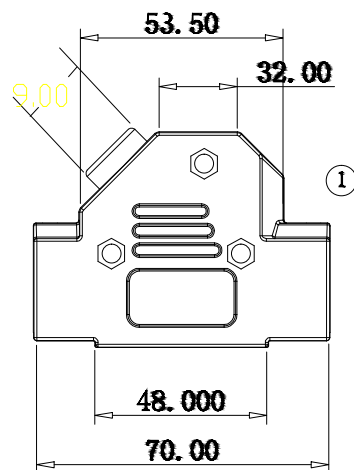
出线孔锁线范围;5.00—9.00mm



1. 45° D-SUB 37PIN, plastic assembly shell, top and bottom plate, black or grey

2. #4-40 screw, UNC. overall length 33.00mm, nickel steel

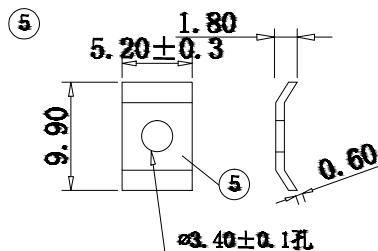
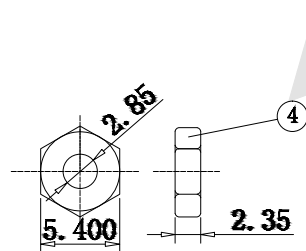
3. M3*14.80 screw



ORDERING CODE:

DBP04 - 37 - X - X - 1 - 0
 ① ② ③ ④ ⑤ ⑥

- ① Series No: Plastic Hoods
- ② CONTACT NUMBER: 37=37PIN
- ③ Color Code: B:Black L:Gray W:Lvory
- ④ PACKING TYPE: 1:Mix packing 2:Separation packing
- ⑤ SCREW TYPE: 1:Long screw
- ⑥ Series No: 0



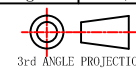
Unless Otherwise specified tolerance
 X. ±0.35 X.XX: ±0.20
 X.X: ±0.25 X.XXX: ±0.15



ANTENK ELECTRONICS CO., LTD
 Http://www.antenk.com
 E-mail:sales@antenk.com

SCALE: As Shown	UNIT: mm
DRAW Le'an Zhang	DATE 12/01/2022
CHECK BobYang	DATE 12/01/2022

TITLE:
Standard D-SUB 37 pin solder type long screw



DRAWING NO: DBP04-37XX10
 PRODUCT NO: DBP04-37XX10

REV	DESCRIPTION	DATE
1	2	3
4	5	6